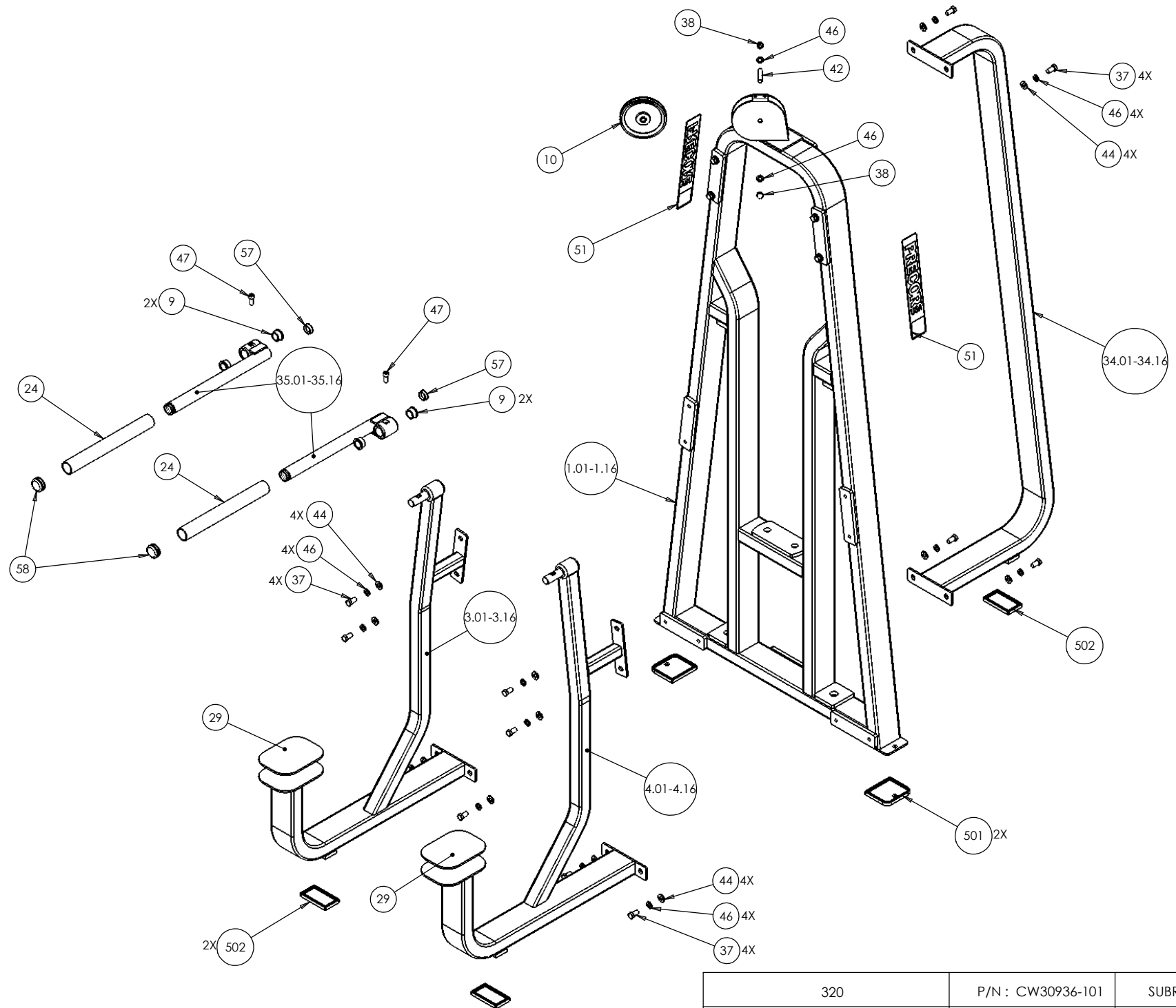
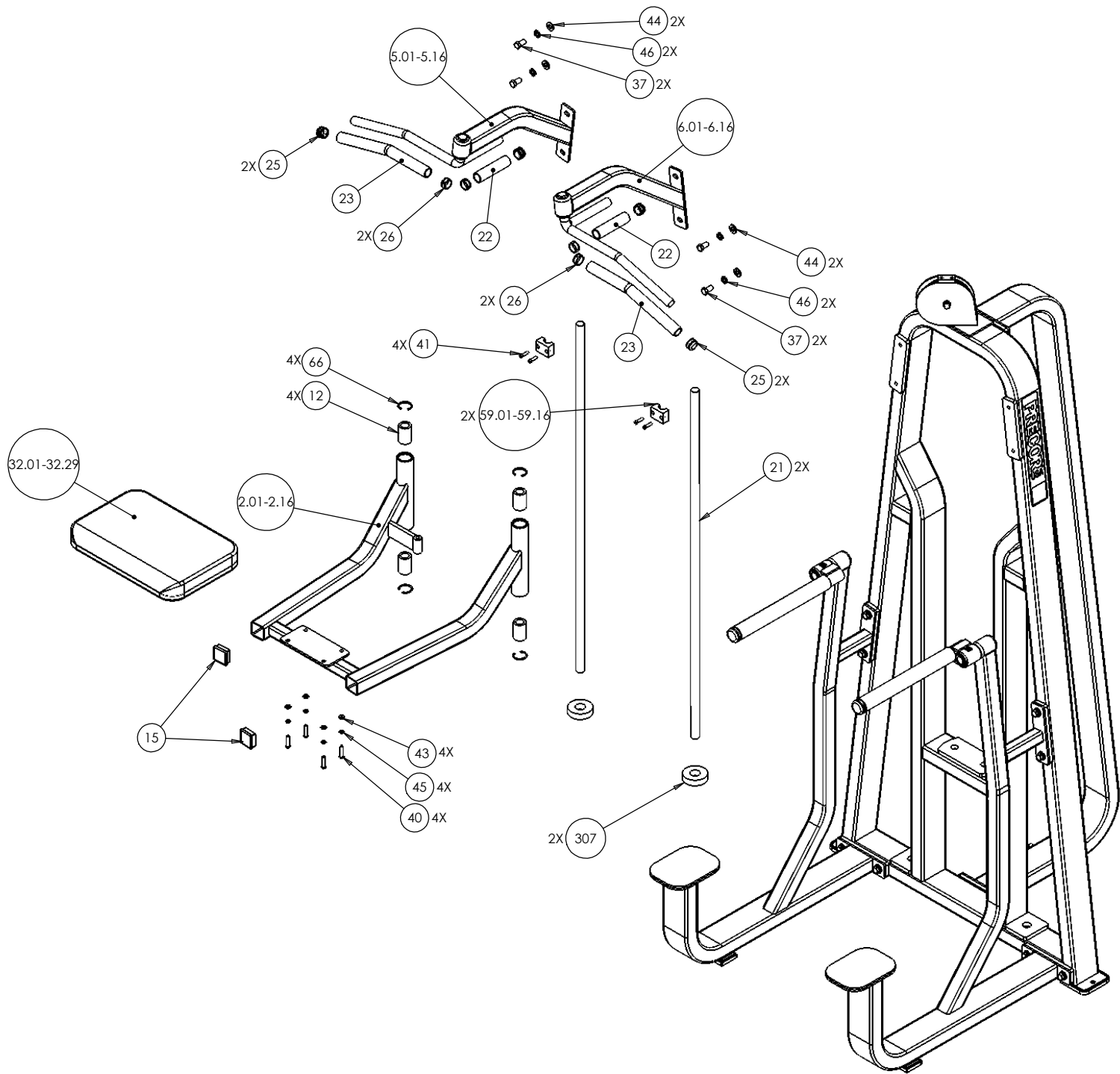


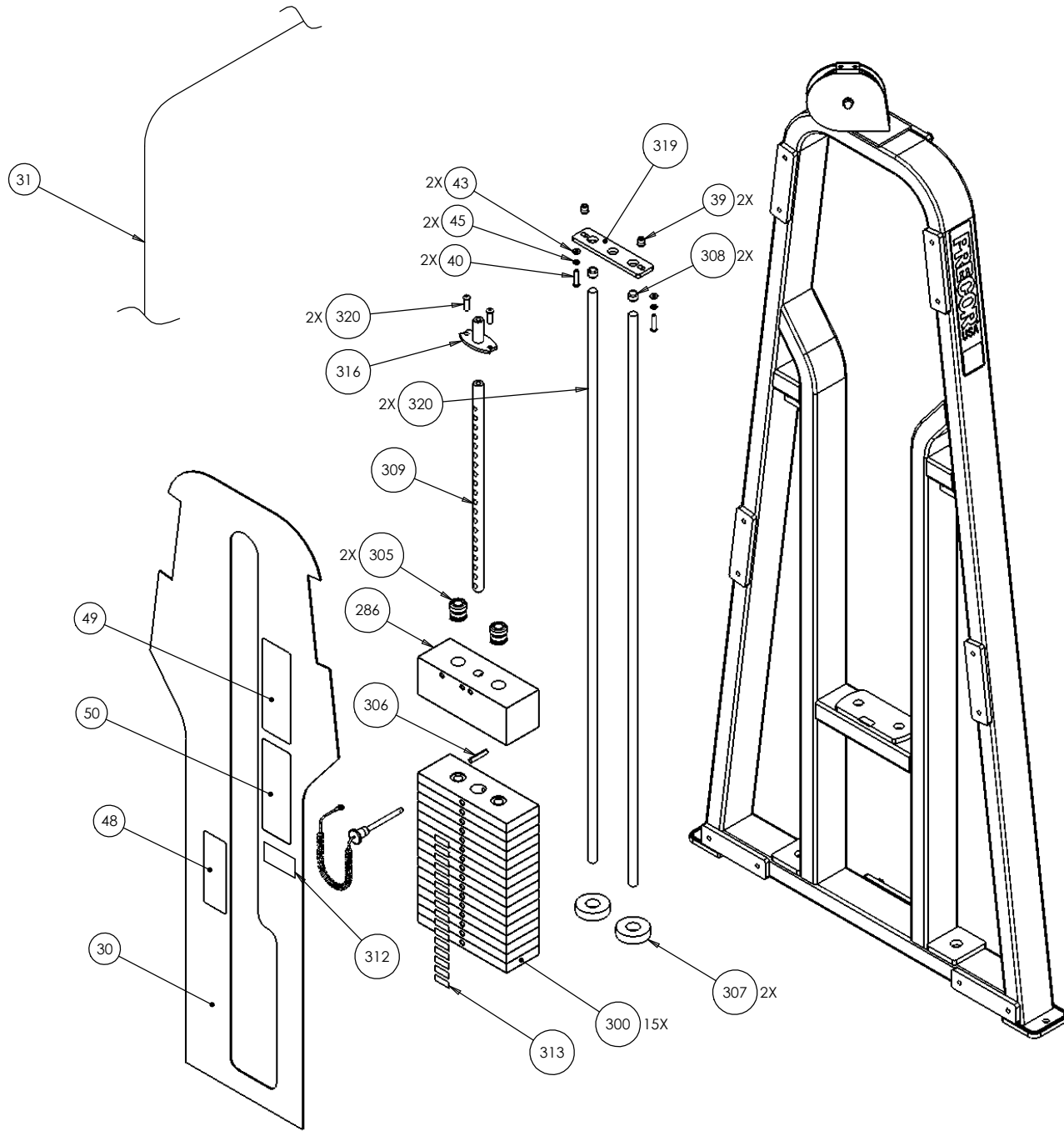
320	P/N : CW30936-101	SUBREV : E
DRAWN BY : C THOMSON	DATE : 04.25.12	SHEET 1 OF 4



320	P/N : CW30936-101	SUBREV : E
DRAWN BY : C THOMSON	DATE : 04.25.12	SHEET 2 OF 4



320	P/N : CW30936-101	SUBREV : E
DRAWN BY : C THOMSON	DATE : 04.25.12	SHEET 3 OF 4



320	P/N : CW30936-101	SUBREV : E
DRAWN BY : C THOMSON	DATE : 04.25.12	SHEET 4 OF 4

320 Dip Chin Assist

Part Number	Description	Bubble Number
CW320SA1-211	ASSY,FRAME,MAIN,320,SKY WHITE	1.01
CW320SA1-321	ASSY,FRAME,MAIN,320,TITANIUM HG	1.12
CW320SA2-211	ASSY, CARRIAGE, 320,SKY WHITE	2.01
CW320SA2-321	ASSY, CARRIAGE, 320,TITANIUM HG	2.12
CW320SA3L-211	ASSY,FRAME,LEFT STEP,320,SKY WHITE	3.01
CW320SA3L-321	ASSY,FRAME,LT STEP,320,TITANIUM HG	3.12
CW320SA3R-211	ASSY,FRAME,RIGHT STEP,320,SKY WHITE	4.01
CW320SA3R-321	ASSY,FRAME,RIGHT STEP,320,TITANIUM	4.12
CW320SA4L-211	ASSY,ARM, LEFT, 320,SKY WHITE	5.01
CW320SA4L-321	ASSY,ARM, LEFT, 320,TITANIUM HG	5.12
CW320SA4R-211	ASSY,ARM, RIGHT, 320,SKY WHITE	6.01
CW320SA4R-321	ASSY,ARM, RIGHT, 320,TITANIUM HG	6.12
CW30034-101	LABEL,INSTRUCTION,320 CHIN	7
CW30035-101	LABEL,INSTRUCTION,320 DIP	8
CWAC1010-101	PULLEY, 6 DIA X 1/2 ID	10
CW12571-101	LINEAR BEARING, CLOSED TYPE, 1.000/	12
CWAC1183-101	LABEL, WARNING, SERIOUS INJURY	18
CWPF3503-901	GUIDE ROD,STEEL,OD .995 X 50.38, CA	21
CWGR4605-000	GRIP, RUBBER, 1.00" OD HANDLE, 5.00	22
CWGR4615-000	GRIP, RUBBER, 1.00" OD HANDLE, 15.0	23
CWAC218-901	HANDLE END CAP W/SET SCREWS, DIA 1"	25
CWAC219-902	HNDL RETAINER RNG, W/SS,1.040" I.D.	26
CW30013-112	CUT PIECE, CREPE, 1/4 THICK	29
CWCP1152-102	CUT PIECE, ABS BLACK, 1/8 X 23 5/16	30
CWCLGG099-000	ASSY, CABLE, 320	31
CWPD1137J-101	PAD,12X18,4HOLES,W/BP,BLACK,W/SLIP	32.01
CWSA10781-211	ASSY,FLANGED "C" FRAME,W/O BRKTS, S	34.01
CWSA10781-321	ASSY,FLANGED "C" FRAME,W/O BRKTS, T	34.12
CWSA1079-301	ASSY,PIVOTING,HANDLE,CUSTOM	35.01
CWEANN016-013	SCREW, SET, SCKT, CUP POINT, 8-32 X	36
CWHCYN050-100	SCREW,HEX HEAD,BLK XYLAN,1/2-13 X 1	37
CWKADLN050-081	NUT, ACORN, 1/2-13	38
CW12537-109	NUT,INSERT,THIN-NUT,LARGE FLANGE	39
CWTAYN031-150	SCREW, BUTTON HEAD, BLK XYLAN, 5/16	40
CWCAYN025-100	SCREW, SOCKET HEAD, BLK XYLAN, 1/4	41
CWBFNN050-250	STUD, 1/2-13 X 2 1/2	42
CWWBKN031-007	WASHER, FLAT, TYPE A, SAE, 5/16 ID	43
CWWBKN050-010	WASHER, FLAT, TYPE A, SAE, 1/2 ID X	44
CWWALYN031-008	WASHER, SPLIT, 5/16 ID, BL	45
CWWALYN050-013	WASHER, SPLIT, 1/2 ID, BLK XYLAN	46
CWCAYN044-100	SCREW, SOCKET HEAD, BLK XYLAN, 7/1	47
CW30010-102	LABEL,WARNING STRENGTH	48
CW30034-101	LABEL,INSTRUCTION,320 CHIN	49
CW30035-101	LABEL,INSTRUCTION,320 DIP	50
CW31756-101	LABEL, PRECOR USA ICARIAN LINE	51
CWPF1472-311	SHAFT COLLAR,SQR BLOCK,1-1/2 X 1 X	59
CWPF1472-211	SHAFT COLLAR,SQR BLOCK,1-1/2 X 1 X	59.01
CWPF1472-321	SHAFT COLLAR, SQR BLOCK, 1-1/2 X 1	59.12

CW11311-103	ENDCAP, REC TUBE, 2X2, BLK PLASTIC	65
CWACHN125-006	SNAP RING RETAINER,(SUPER 16)	66
CW30013-212	CUT PIECE, CREPE, 1/4 THICK, 6.00 X	67
CW10043-134	BUSHING, BRONZE, 1" ID X 1 1/4" OD	104
CW11095-105	CAP, PLASTIC, HEYCO, DOME PLUG, 1.2	106
CWAC242-901	HANDLE END CAP W/SET SCREWS, DIA 1	107
CWGR4915-000	GRIP, RUBBER, 1.50" OD HANDLE, 15.0	108
CW30491-301	WELDMENT, PIVOTING, HANDLE, PT, CUS	178.02
CWAC1133-101	BUSHING, WEIGHT PLATE, LDPE PLASTIC	203
CW10510-721	ASSY, PLATE, WEIGHT, 10 LBS, WRKL B	300
CW30184-901	ASSY,BARREL, TOP PLATE,ALUMINUM,SHRT	305
CWLDNN038-200	SLOTTED PIN SPRING, DIA 3/8 X 2	306
CW12402-101	BUMPER, ID 1.050, BLK RUBBER	307
CW12404-101	CAP, GUIDE ROD,DIA 3/4, BLK	308
CW30132-712	SELECTOR STEM, 20 PLATE,0.875 DIA,	309
CW33870-103	ASSEMBLY, 4" WEIGHT STACK PIN & LEA	310
CW30011-102	LABEL,WARNING WEIGHT STACK	312
CW32934-101	WEIGHT STACK LABELS, 10-150, STRAIG	313
CW32663-741	WELDMENT, BOLT ON TOP PLATE MINI ST	316
CWPF1016-732	BAR,,FLAT CR/HR, 3/8 X 2 X 8 1/4, 3	319
CWPF1552-711	GUIDE ROD, STEEL, DIA 3/4 X (61 1/8	320
CWTAYN038-125	SCREW, BUTTON HEAD, BLK XYLAN, 3/8	322
CWAC1177-101	FLOOR PROTECTOR, RUBBER, 4.563 X 4.	501
CWAC1180-101	FLOOR PROTECTOR, RUBBER, 2.563 X 4.	502